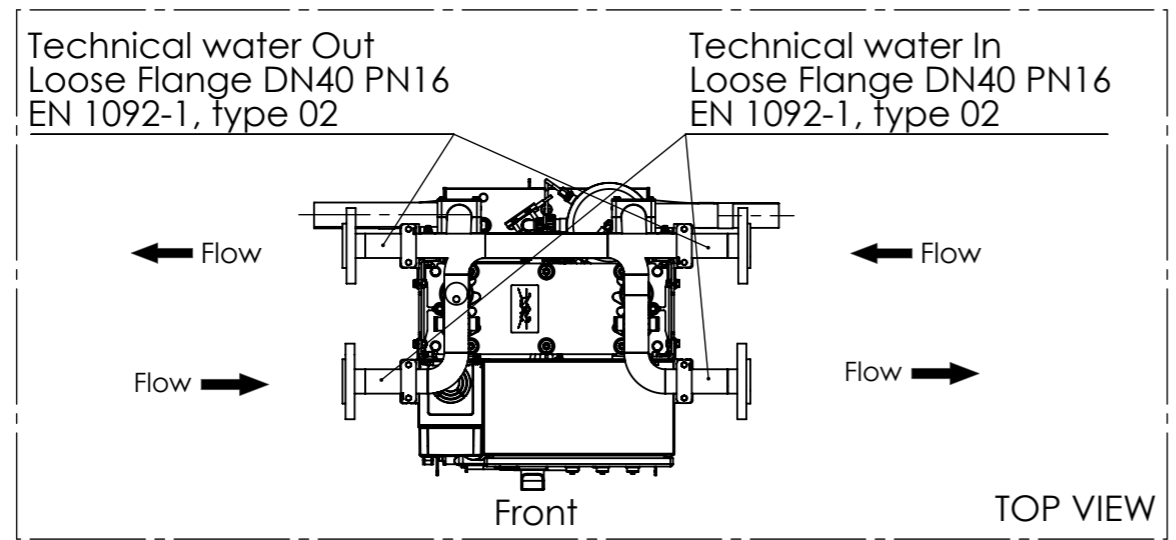
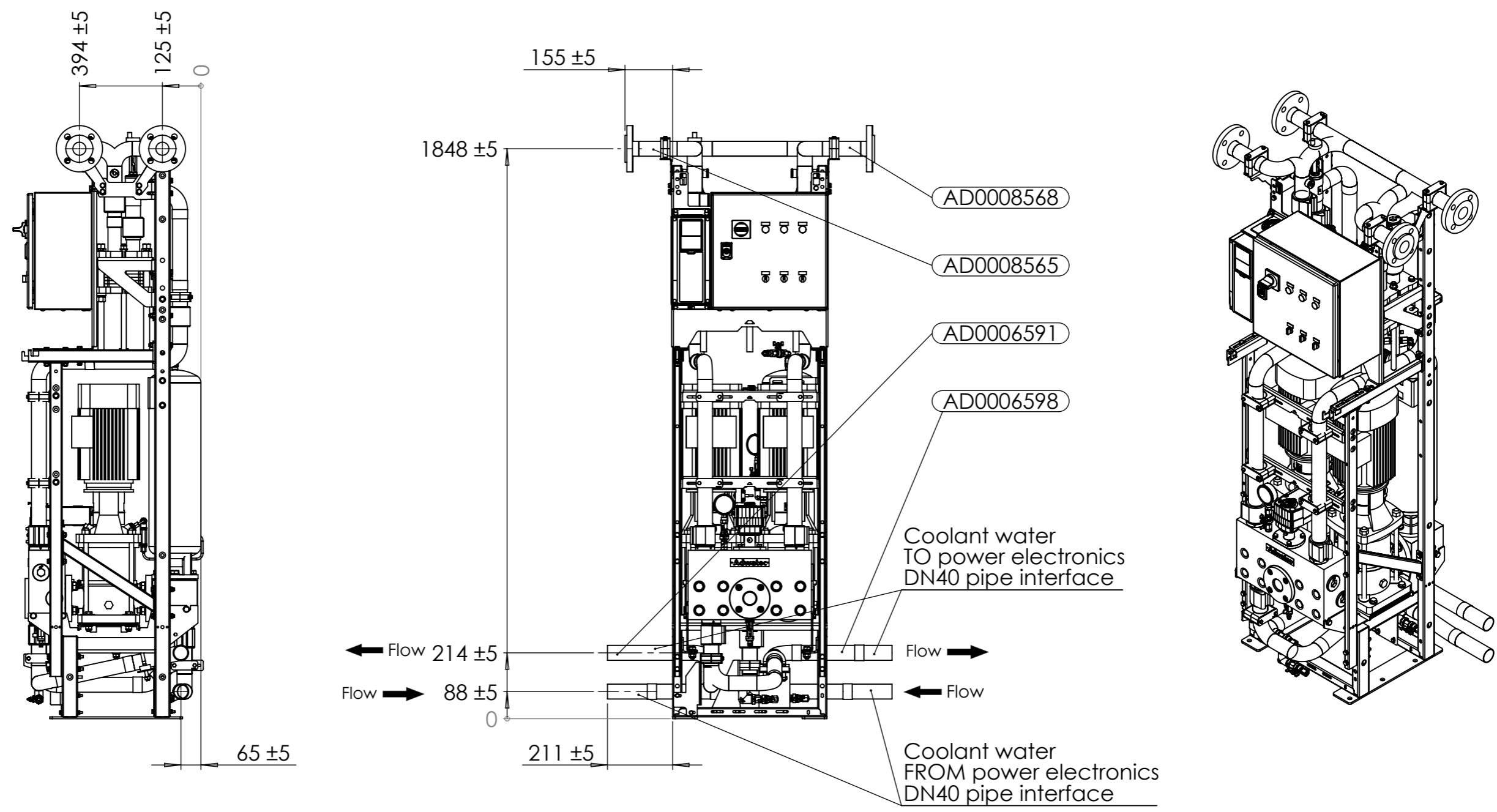


This document must not be copied without our written permission, and the contents thereof must not be imparted to a third party nor be used for any unauthorized purpose. Contravention will be prosecuted. Adwatec oy



AD0008568	DN40 EN Flange Pipes, Raw	Ti HX, Up Right, 104R	Rittal W600H2000D600 VEDA W600H2000D600
AD0008565	DN40 EN Flange Pipes, Raw	Ti HX, Up Left, 104R	Rittal W600H2000D600 VEDA W600H2000D600
AD0006598	DN40 Pipes, Coolant Water	Down Right	Rittal W600H2000D600 VEDA W600H2000D600
AD0006591	DN40 Pipes, Coolant Water	Down Left	Rittal W600H2000D600 VEDA W600H2000D600
NUMBER	DESCRIPTION	DESCRIPTION2	CABINET COMPATIBILITY

MATERIAL: Material <not specified>		DIMENSIONS:	
SURFACE TREATMENT:			
Sheet metal parts only			
THICKNESS: mm	K-FACTOR:	BEND RADIUS: mm	PRODUCT CODE:
DRAWN JH	27.10.2022		<b>CCE56R/104R/104S Pipe Modules</b>
APPROVED JH	23.11.2022		
WEIGHT 522.50 kg	SCALE 1:15	SIZE A3	TITANIUM HX
GENERAL TOLERANCE ISO 2768-mK	PROJECTION	<b>Adwatec</b> www.adwatec.com	DRAWING NO. <b>AD0008957</b>
		ERP ITEM NO:	REV. -
		PROJECT:	PAGE 1 / 2

Pvm / Date      Suunnittelija / Designed      Muutos / Change

1

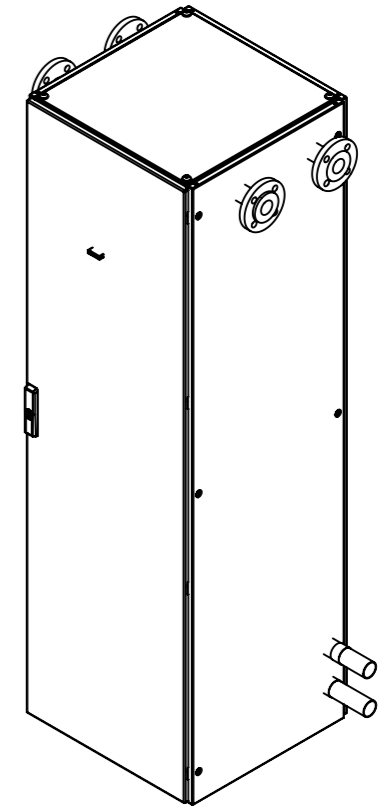
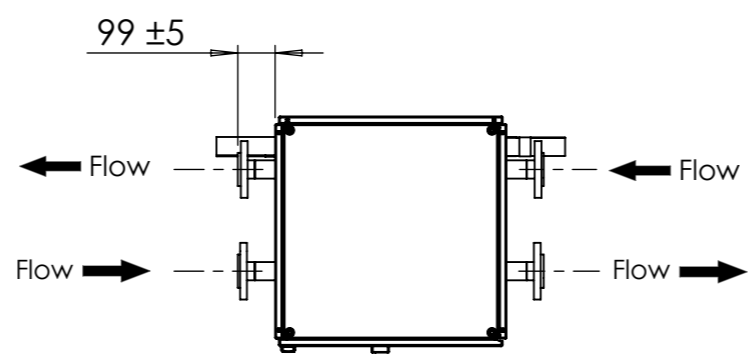
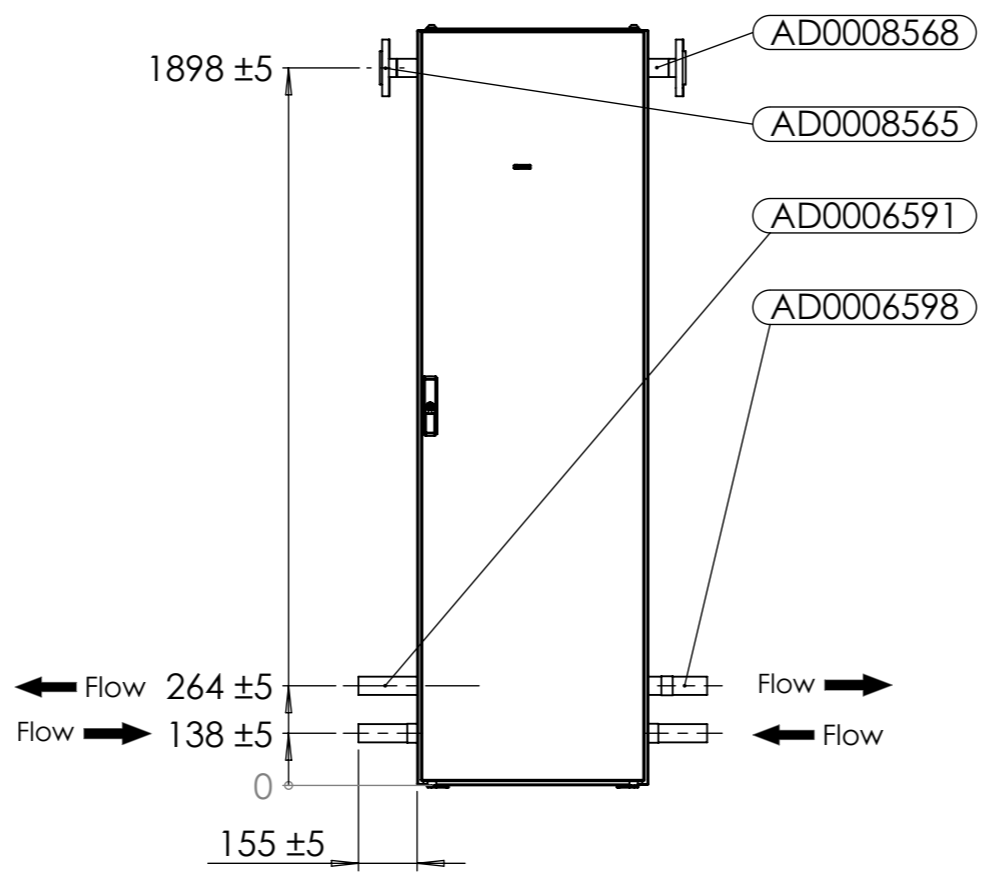
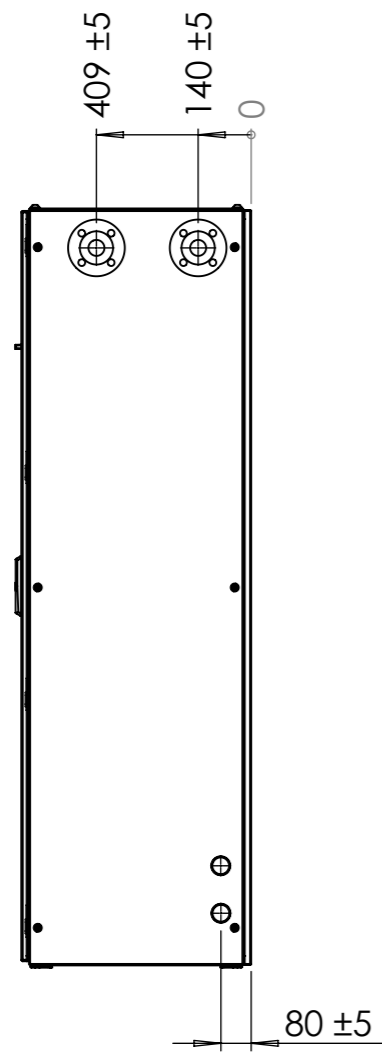
2

3

4

5

This document must not be copied without our written permission, and the contents thereof must not be imparted to a third party nor be used for any unauthorized purpose. Contravention will be prosecuted. Adwatec oy



AD0008568	DN40 EN Flange Pipes, Raw	Ti HX, Up Right, 104R	Rittal W600H2000D600 VEDA W600H2000D600
AD0008565	DN40 EN Flange Pipes, Raw	Ti HX, Up Left, 104R	Rittal W600H2000D600 VEDA W600H2000D600
AD0006598	DN40 Pipes, Coolant Water	Down Right	Rittal W600H2000D600 VEDA W600H2000D600
AD0006591	DN40 Pipes, Coolant Water	Down Left	Rittal W600H2000D600 VEDA W600H2000D600
NUMBER	DESCRIPTION	DESCRIPTION2	CABINET COMPATIBILITY

MATERIAL: Material <not specified>		DIMENSIONS:	
SURFACE TREATMENT:			
Sheet metal parts only			
THICKNESS: mm	K-FACTOR:	BEND RADIUS: mm	PRODUCT CODE:
DRAWN JH		27.10.2022	<b>CCE56R/104R/104S Pipe Modules</b>
APPROVED JH		23.11.2022	
WEIGHT 522.50 kg	SCALE 1:20	SIZE A3	TITANIUM HX
GENERAL TOLERANCE ISO 2768-mK	PROJECTION	<b>Adwatec</b> www.adwatec.com	DRAWING NO. <b>AD0008957</b>
		ERP ITEM NO:	REV. -
		PROJECT:	PAGE 2 / 2

Pvm / Date	Suunnittelija / Designed	Muutos / Change
1	2	3

1 2 3 4 5