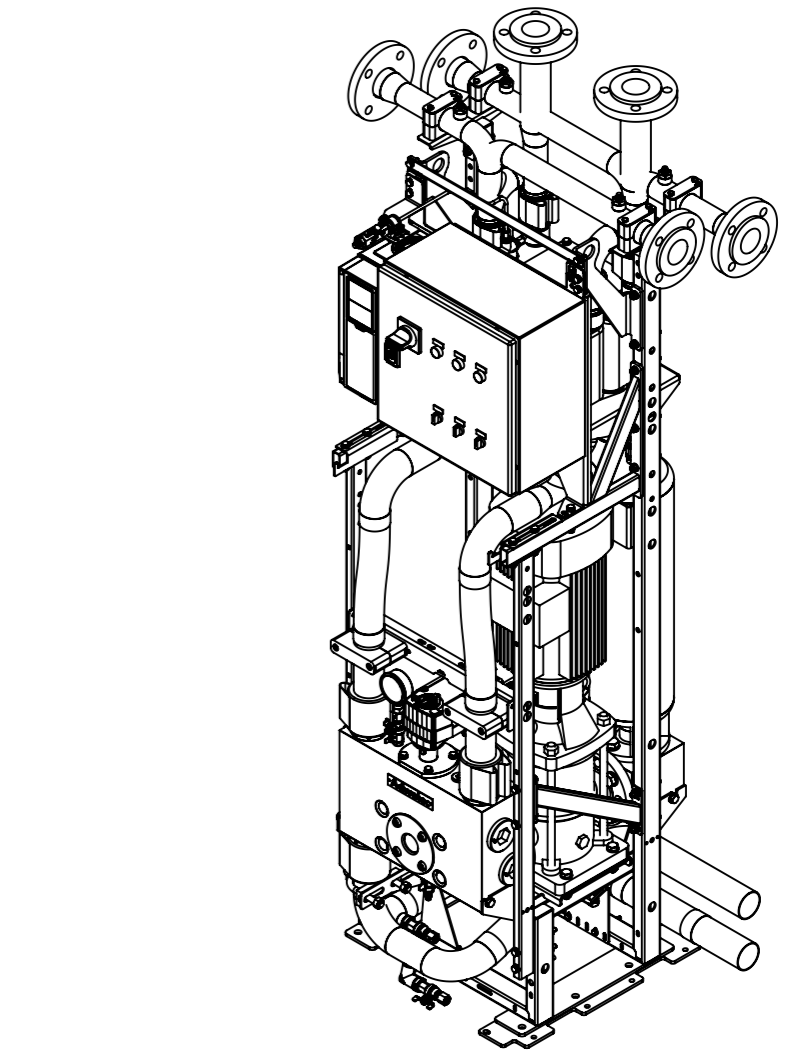
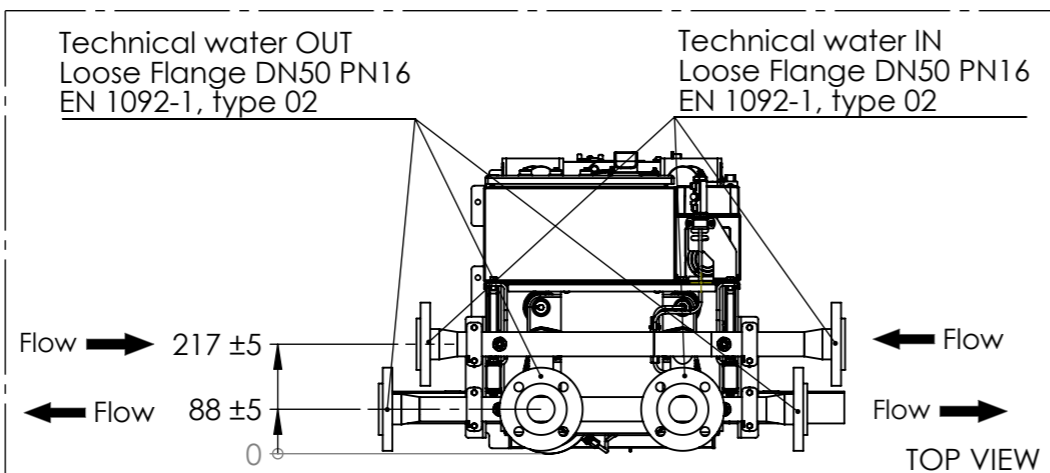
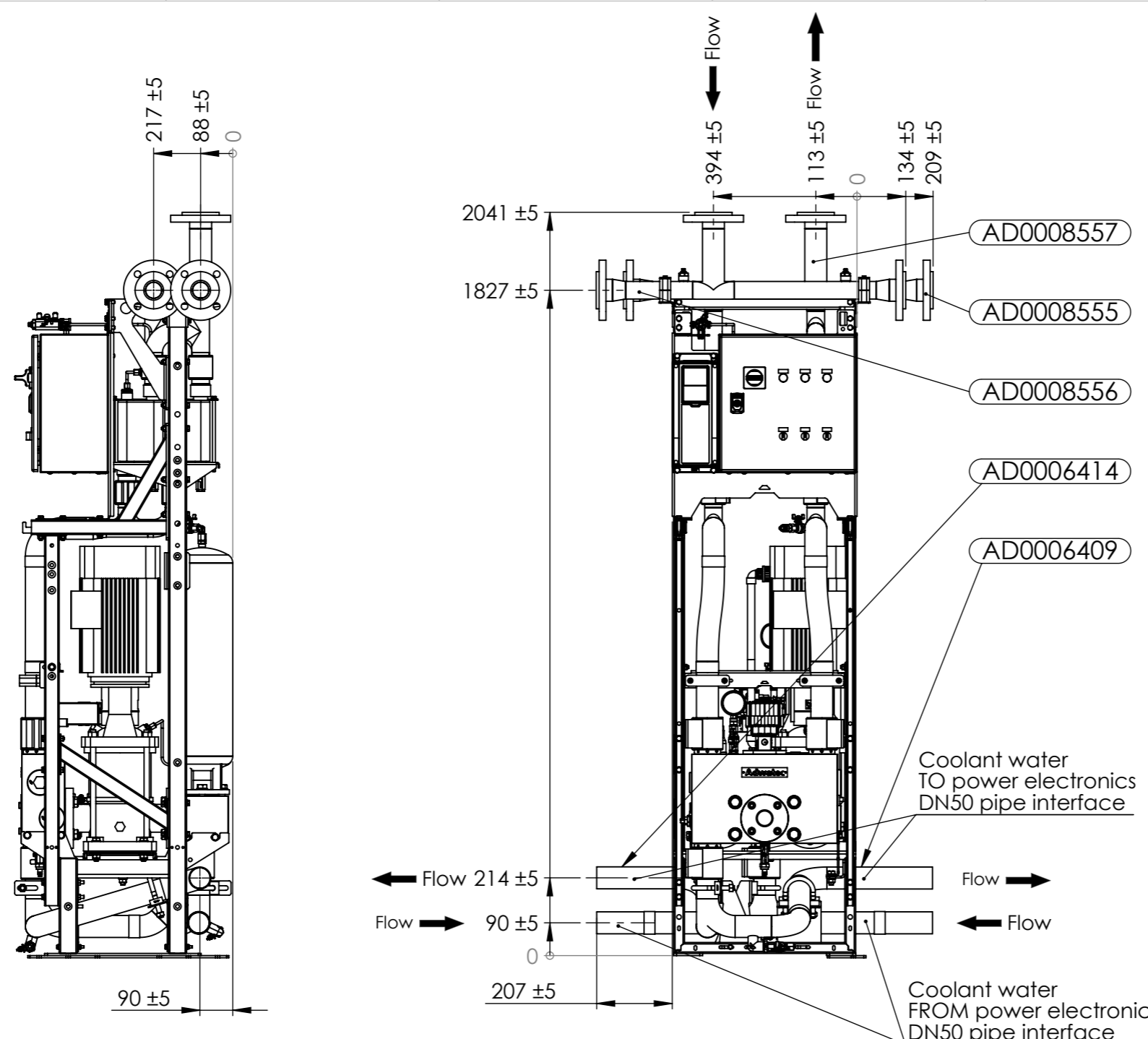


This document must not be copied without our written permission, and the contents thereof must not be imparted to a third party nor be used for any unauthorized purpose. Contravention will be prosecuted. - Adwatec oy

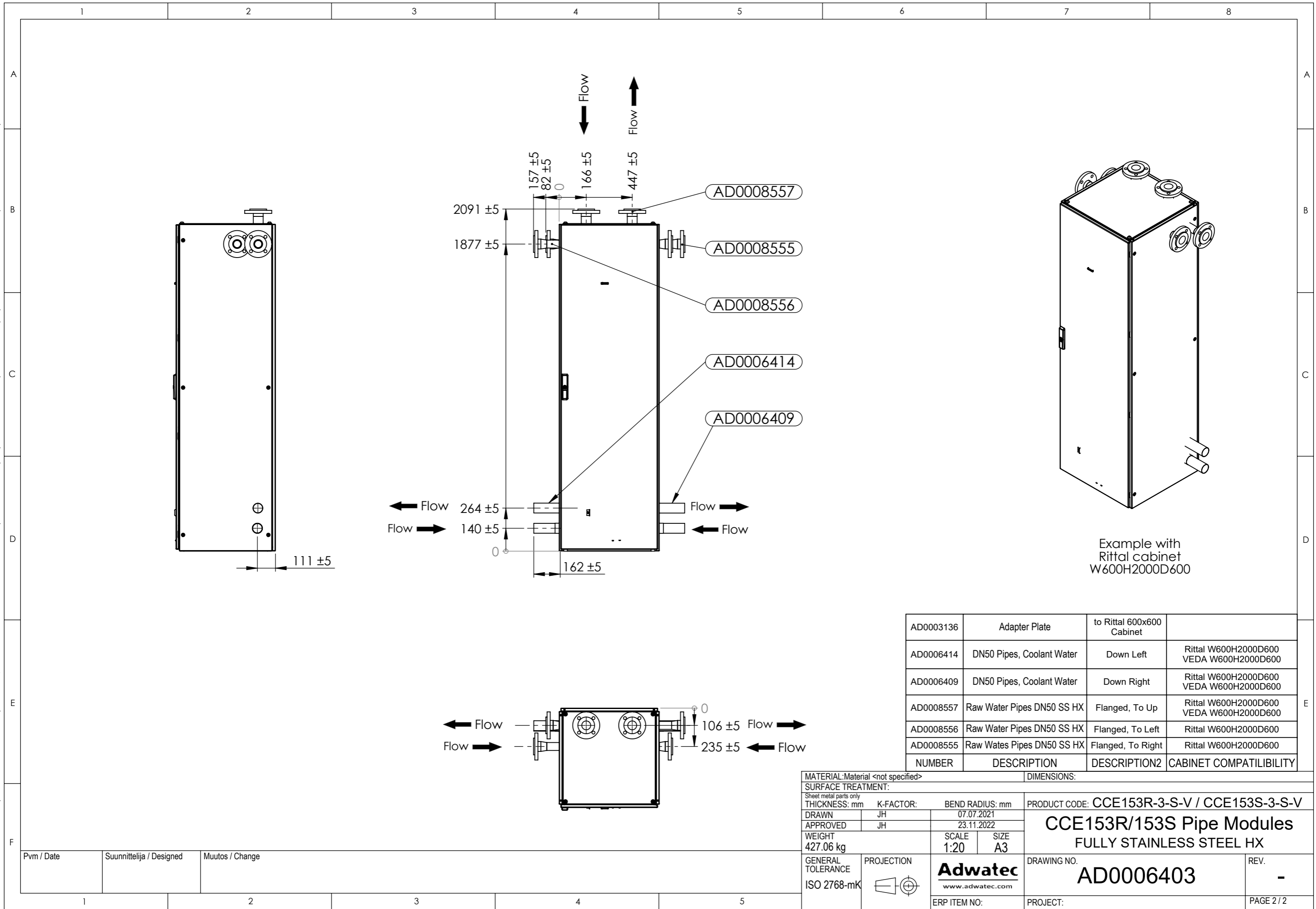


| | | | |
|-----------|----------------------------|---------------------------|--|
| AD0003136 | Adapter Plate | to Rittal 600x600 Cabinet | |
| AD0006414 | DN50 Pipes, Coolant Water | Down Left | Rittal W600H2000D600 VEDA W600H2000D600 |
| AD0006409 | DN50 Pipes, Coolant Water | Down Right | Rittal W600H2000D600 VEDA W600H2000D600 |
| AD0008557 | Raw Water Pipes DN50 SS HX | Flanged, To Up | Rittal W600H2000D600 VEDA W600H2000D600 |
| AD0008556 | Raw Water Pipes DN50 SS HX | Flanged, To Left | Rittal W600H2000D600 |
| AD0008555 | Raw Wates Pipes DN50 SS HX | Flanged, To Right | Rittal W600H2000D600 |
| NUMBER | DESCRIPTION | DESCRIPTION2 | CABINET COMPATIBILITY |

| | | | |
|------------------------------------|------------|--|--------|
| MATERIAL: Material <not specified> | | DIMENSIONS: | |
| SURFACE TREATMENT: | | | |
| Sheet metal parts only | | | |
| THICKNESS: mm | K-FACTOR: | BEND RADIUS: mm | |
| DRAWN JH | | 07.07.2021 | |
| APPROVED JH | | 23.11.2022 | |
| WEIGHT 427.06 kg | SCALE 1:15 | SIZE A3 | |
| GENERAL TOLERANCE ISO 2768-mK | PROJECTION | PRODUCT CODE: CCE153R-3-S-V / CCE153S-3-S-V | |
| | | CCE153R/153S Pipe Modules FULLY STAINLESS STEEL HX | |
| | | DRAWING NO. AD0006403 | REV. - |
| ERP ITEM NO: | PROJECT: | PAGE 1 / 2 | |

| | | |
|------------|--------------------------|-----------------|
| Pvm / Date | Suunnittelija / Designed | Muutos / Change |
| | JH | |

This document must not be copied without our written permission, and the contents thereof must not be imparted to a third party nor be used for any unauthorized purpose. Contravention will be prosecuted. Adwatec oy



| NUMBER | DESCRIPTION | DESCRIPTION2 | CABINET COMPATIBILITY |
|-----------|----------------------------|---------------------------|--|
| AD0003136 | Adapter Plate | to Rittal 600x600 Cabinet | |
| AD0006414 | DN50 Pipes, Coolant Water | Down Left | Rittal W600H2000D600 VEDA W600H2000D600 |
| AD0006409 | DN50 Pipes, Coolant Water | Down Right | Rittal W600H2000D600 VEDA W600H2000D600 |
| AD0008557 | Raw Water Pipes DN50 SS HX | Flanged, To Up | Rittal W600H2000D600 VEDA W600H2000D600 |
| AD0008556 | Raw Water Pipes DN50 SS HX | Flanged, To Left | Rittal W600H2000D600 |
| AD0008555 | Raw Wates Pipes DN50 SS HX | Flanged, To Right | Rittal W600H2000D600 |

| | | | |
|------------------------------------|------------|------------------------------|--|
| MATERIAL: Material <not specified> | | DIMENSIONS: | |
| SURFACE TREATMENT: | | | |
| Sheet metal parts only | | | |
| THICKNESS: mm | K-FACTOR: | BEND RADIUS: mm | |
| DRAWN | JH | 07.07.2021 | |
| APPROVED | JH | 23.11.2022 | |
| WEIGHT | SCALE | SIZE | PRODUCT CODE: CCE153R-3-S-V / CCE153S-3-S-V |
| 427.06 kg | 1:20 | A3 | CCE153R/153S Pipe Modules FULLY STAINLESS STEEL HX |
| GENERAL TOLERANCE | PROJECTION | DRAWING NO. AD0006403 | |
| ISO 2768-mK | | REV. - | |
| www.adwatec.com | | ERP ITEM NO: | PROJECT: |
| | | | PAGE 2 / 2 |

| | | |
|------------|--------------------------|-----------------|
| Pvm / Date | Suunnittelija / Designed | Muutos / Change |
| 1 | 2 | 3 |