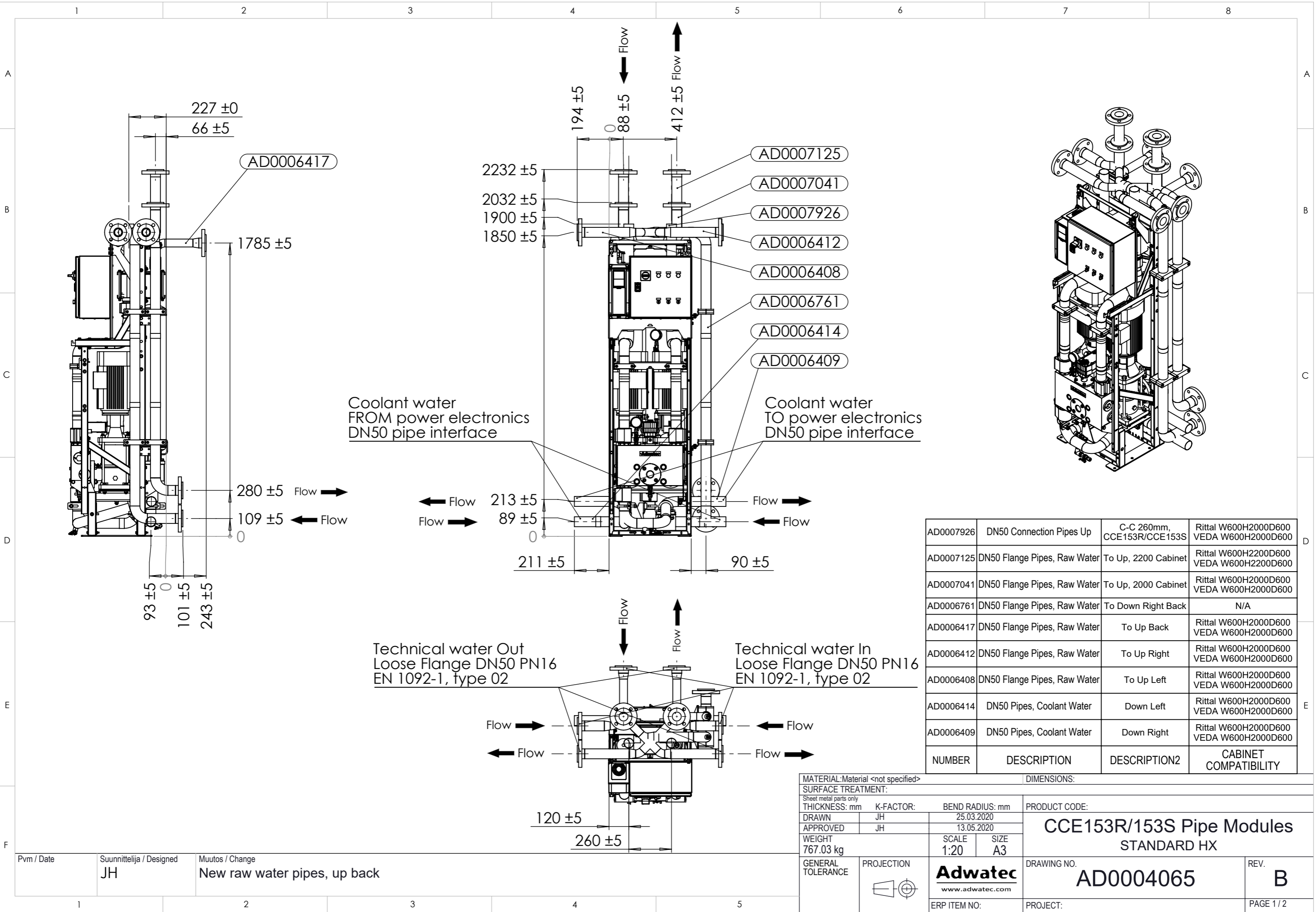


This document must not be copied without our written permission, and the contents thereof must not be imparted to a third party nor be used for any unauthorized purpose. Contravention will be prosecuted. Adwatec oy

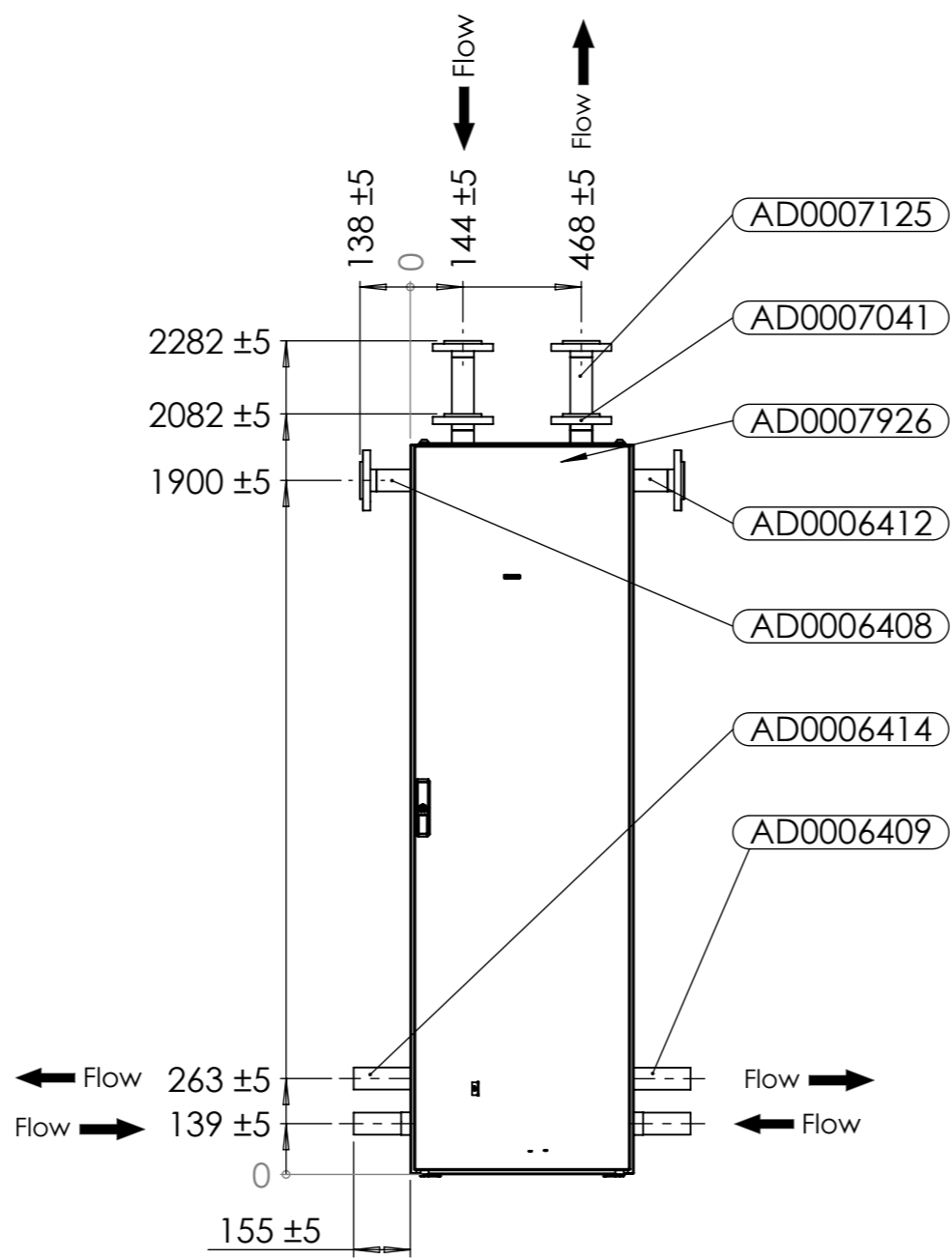
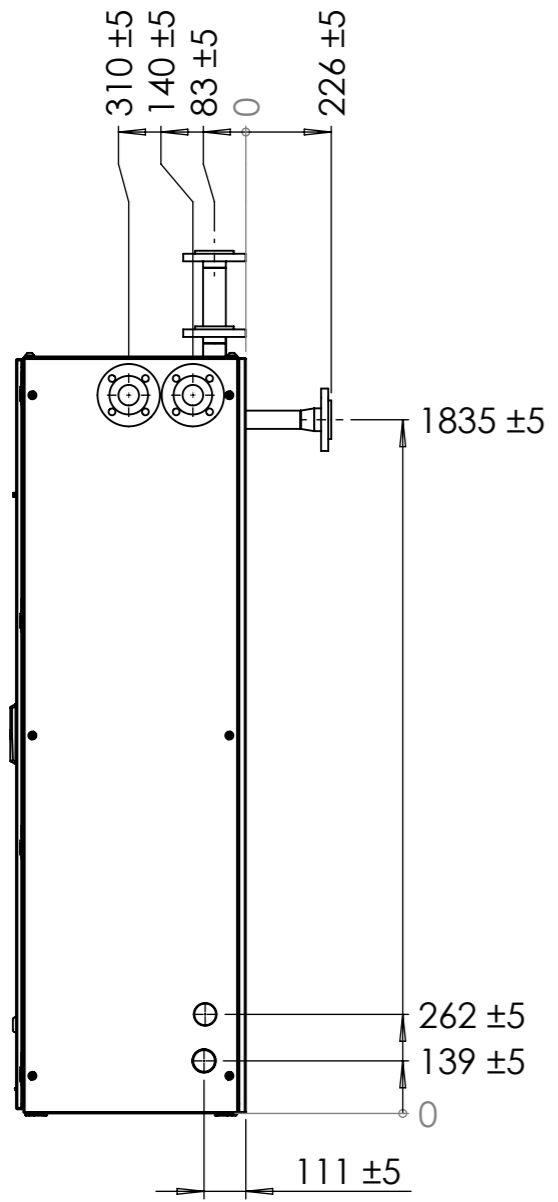


AD0007926	DN50 Connection Pipes Up	C-C 260mm, CCE153R/CCE153S	Rittal W600H2000D600 VEDA W600H2000D600
AD0007125	DN50 Flange Pipes, Raw Water	To Up, 2200 Cabinet	Rittal W600H2200D600 VEDA W600H2200D600
AD0007041	DN50 Flange Pipes, Raw Water	To Up, 2000 Cabinet	Rittal W600H2000D600 VEDA W600H2000D600
AD0006761	DN50 Flange Pipes, Raw Water	To Down Right Back	N/A
AD0006417	DN50 Flange Pipes, Raw Water	To Up Back	Rittal W600H2000D600 VEDA W600H2000D600
AD0006412	DN50 Flange Pipes, Raw Water	To Up Right	Rittal W600H2000D600 VEDA W600H2000D600
AD0006408	DN50 Flange Pipes, Raw Water	To Up Left	Rittal W600H2000D600 VEDA W600H2000D600
AD0006414	DN50 Pipes, Coolant Water	Down Left	Rittal W600H2000D600 VEDA W600H2000D600
AD0006409	DN50 Pipes, Coolant Water	Down Right	Rittal W600H2000D600 VEDA W600H2000D600
NUMBER	DESCRIPTION	DESCRIPTION2	CABINET COMPATIBILITY

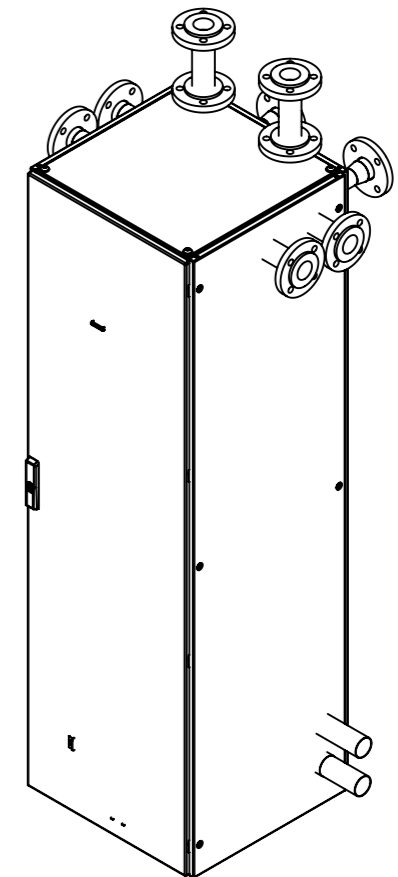
MATERIAL: Material <not specified>		DIMENSIONS:	
SURFACE TREATMENT:			
Sheet metal parts only			
THICKNESS: mm	K-FACTOR:	BEND RADIUS: mm	PRODUCT CODE:
DRAWN JH		25.03.2020	<b>CCE153R/153S Pipe Modules</b> STANDARD HX
APPROVED JH		13.05.2020	
WEIGHT 767.03 kg	SCALE 1:20	SIZE A3	DRAWING NO. <b>AD0004065</b>
GENERAL TOLERANCE	PROJECTION	<b>Adwatec</b> www.adwatec.com	REV. <b>B</b>
		ERP ITEM NO:	PROJECT:

Pvm / Date	Suunnittelija / Designed	Muutos / Change
	JH	New raw water pipes, up back

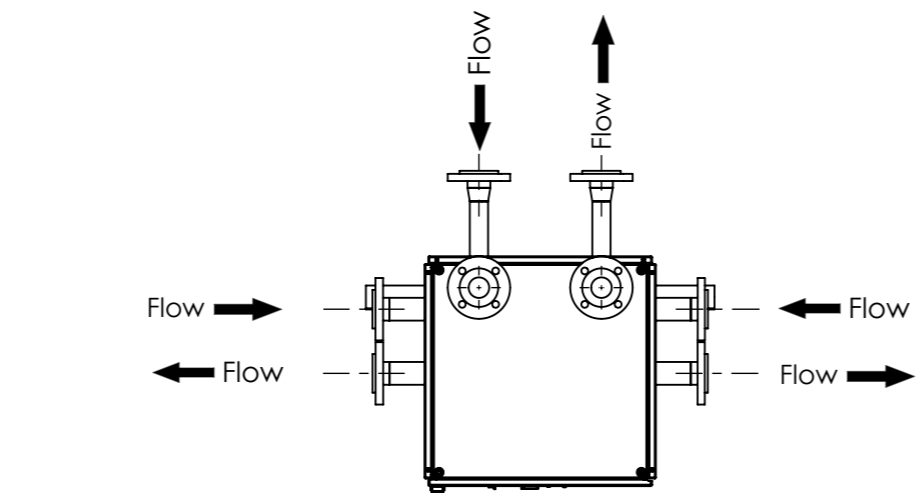
This document must not be copied without our written permission, and the contents thereof must not be imparted to a third party nor be used for any unauthorized purpose. Contravention will be prosecuted. Adwatec oy



Connection interface inside the cabinet see sheet 1



Example with Rittal cabinet W600H2000D600



NUMBER	DESCRIPTION	DESCRIPTION2	CABINET COMPATIBILITY
AD0007926	DN50 Connection Pipes Up	C-C 260mm, CCE153R/CCE153S	Rittal W600H2000D600 VEDA W600H2000D600
AD0007125	DN50 Flange Pipes, Raw Water	To Up, 2200 Cabinet	Rittal W600H2200D600 VEDA W600H2200D600
AD0007041	DN50 Flange Pipes, Raw Water	To Up, 2000 Cabinet	Rittal W600H2000D600 VEDA W600H2000D600
AD0006417	DN50 Flange Pipes, Raw Water	To Up Back	Rittal W600H2000D600 VEDA W600H2000D600
AD0006412	DN50 Flange Pipes, Raw Water	To Up Right	Rittal W600H2000D600 VEDA W600H2000D600
AD0006408	DN50 Flange Pipes, Raw Water	To Up Left	Rittal W600H2000D600 VEDA W600H2000D600
AD0006414	DN50 Pipes, Coolant Water	Down Left	Rittal W600H2000D600 VEDA W600H2000D600
AD0006409	DN50 Pipes, Coolant Water	Down Right	Rittal W600H2000D600 VEDA W600H2000D600

MATERIAL: Material <not specified>		DIMENSIONS:	
SURFACE TREATMENT:			
Sheet metal parts only			
THICKNESS: mm	K-FACTOR:	BEND RADIUS: mm	PRODUCT CODE:
DRAWN JH		25.03.2020	<b>CCE153R/153S Pipe Modules</b> STANDARD HX
APPROVED JH		13.05.2020	
WEIGHT 767.03 kg	SCALE 1:20	SIZE A3	DRAWING NO. <b>AD0004065</b>
GENERAL TOLERANCE	PROJECTION	<b>Adwatec</b> www.adwatec.com	REV. <b>B</b>
		ERP ITEM NO:	PROJECT:

Pvm / Date	Suunnittelija / Designed	Muutos / Change
	JH	New raw water pipes, up back