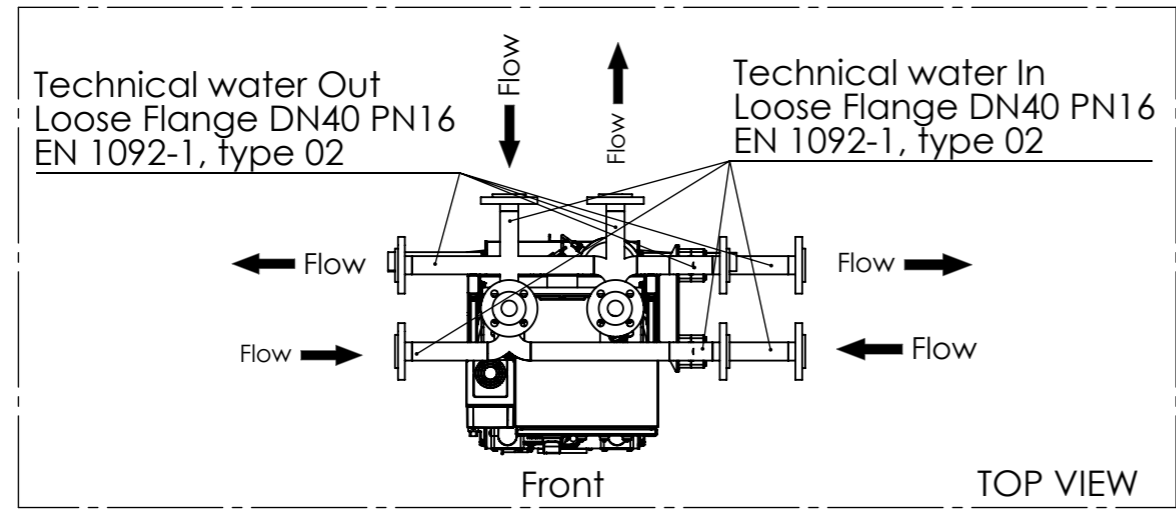
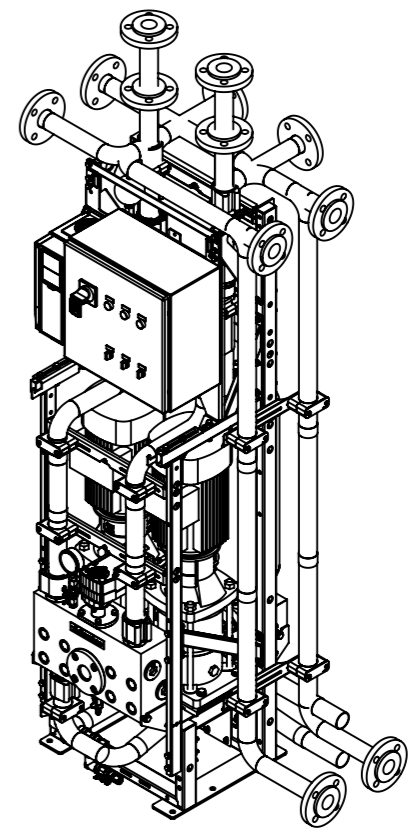
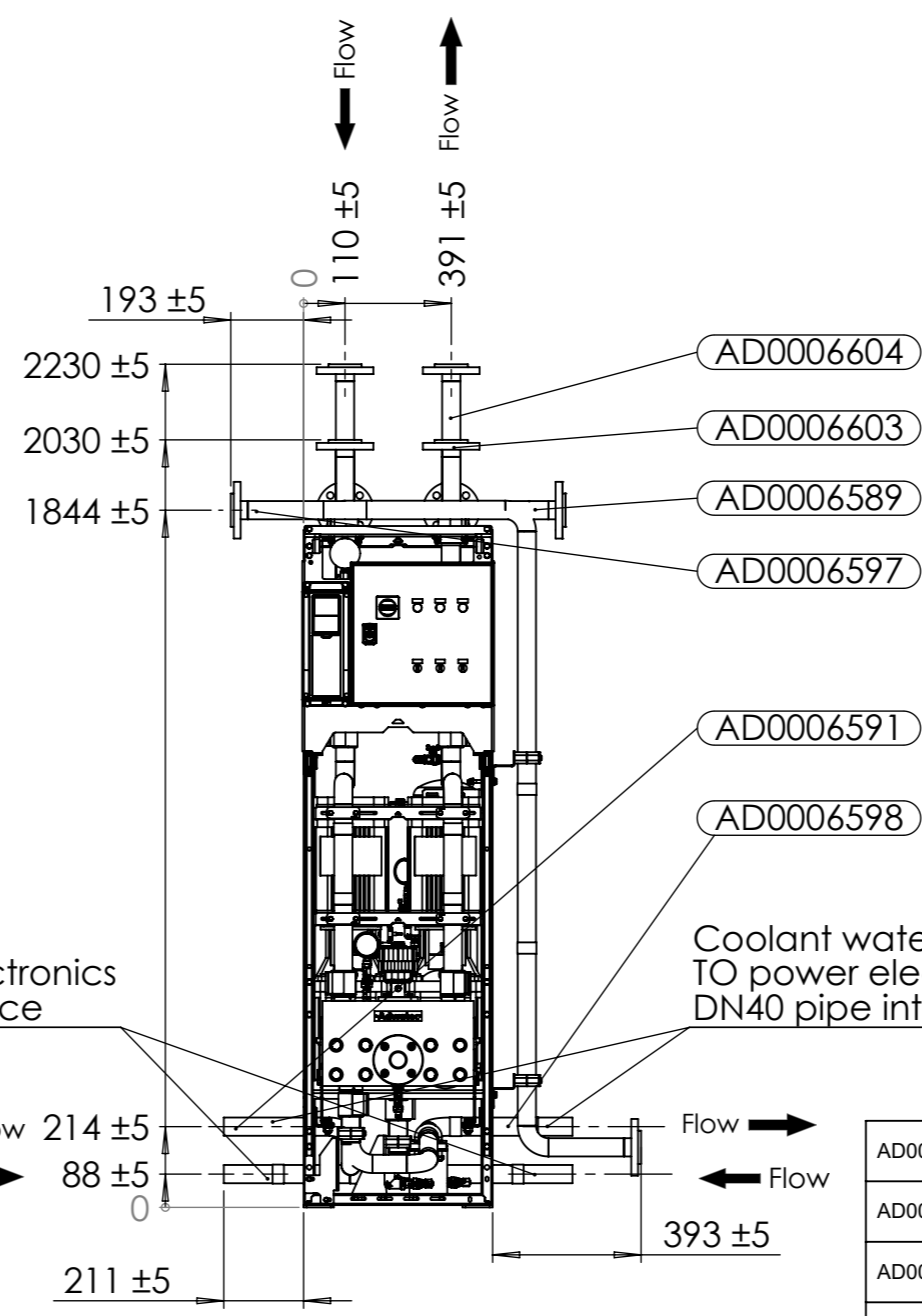
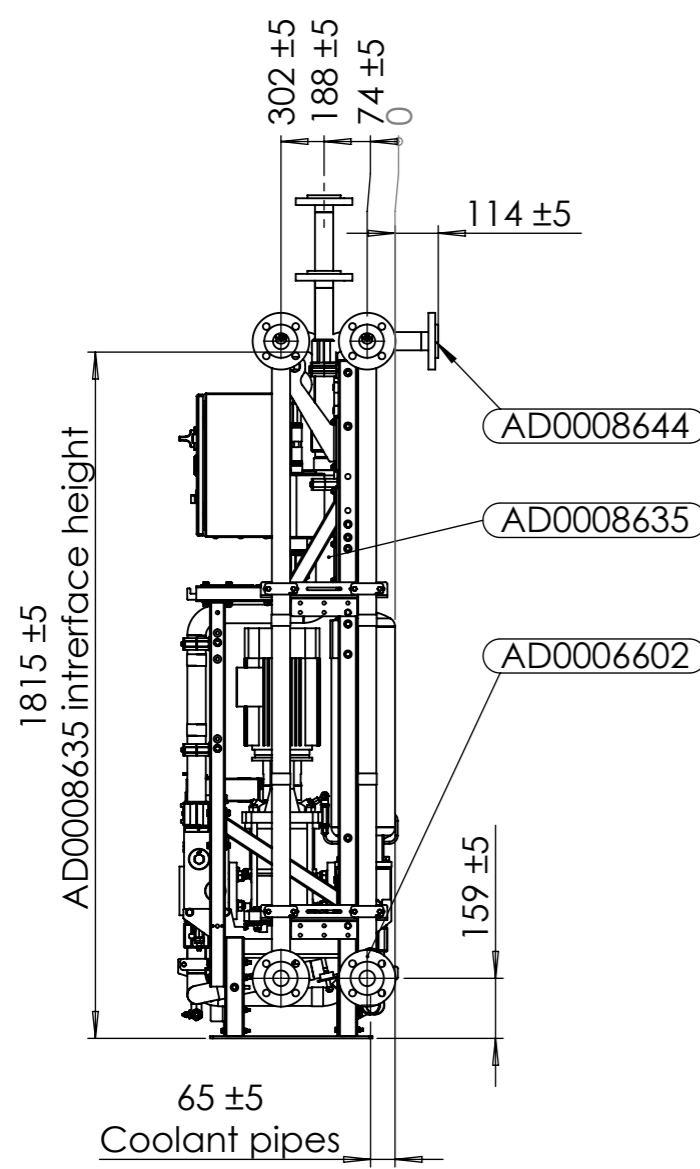


This document must not be copied without our written permission, and the contents thereof must not be imparted to a third party nor be used for any unauthorized purpose. Contravention will be prosecuted. Adwatec oy



AD0006598	DN40 Pipes, Coolant Water	Down Right	Rittal W600H2000D600 VEDAW600H2000D600
AD0006591	DN40 Pipes, Coolant Water	Down Left	Rittal W600H2000D600 VEDAW600H2000D600
AD0008644	DN40 Flange Pipes, Raw Water	VEDA, Up Back, 104R	Rittal W600H2000D600 VEDAW600H2000D600?
AD0008635	DN40 Pipes, Raw Water	From Manifold To Aircooler	Rittal W600H2000D600 VEDAW600H2000D600
AD0006602	DN40 Flange Pipes, Raw Water	VEDA, Down Right	Rittal W800H2000D600 VEDAW800H2000D600
AD0006597	DN40 Flange Pipes, Raw Water	VEDA, Up Left, 104R	Rittal W600H2000D600 VEDAW600H2000D600
AD0006589	DN40 Flange Pipes, Raw Water	VEDA, Up Right, 104R	Rittal W600H2000D600 VEDAW600H2000D600
AD0006604	DN40 Flange Pipes, Raw Water	To Up, 2200 Cabinet	Rittal W600H2200D600 VEDAW600H2200D600
AD0006603	DN40 Flange Pipes, Raw Water	To Up, 2000 Cabinet	Rittal W600H2000D600 VEDAW600H2000D600
NUMBER	DESCRIPTION	DESCRIPTION2	CABINET COMPATIBILITY

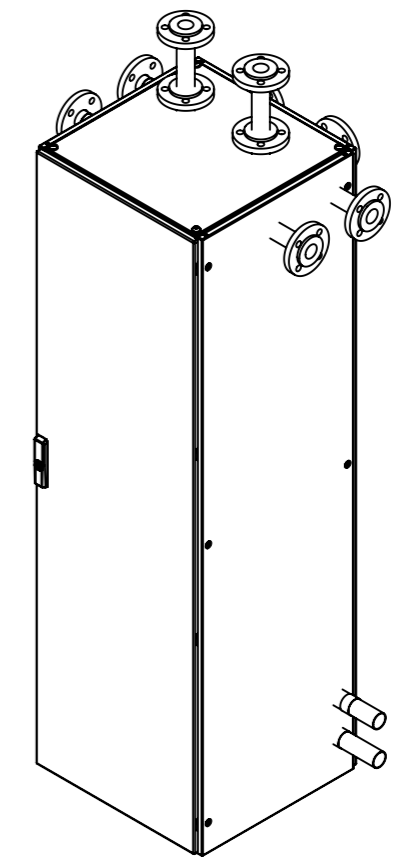
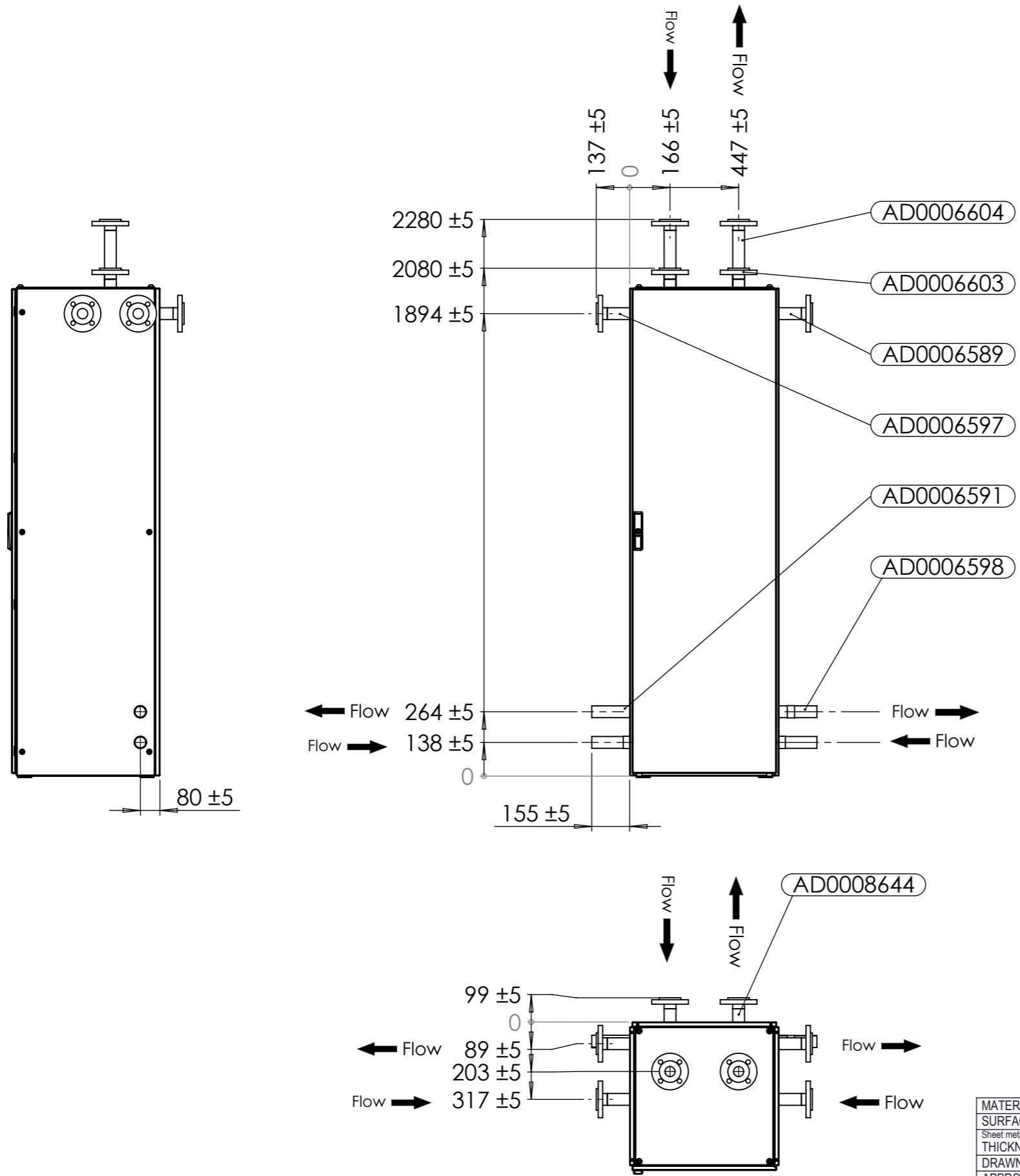
MATERIAL: Material <not specified> DIMENSIONS:

SURFACE TREATMENT: Sheet metal parts only

THICKNESS: mm	K-FACTOR:	BEND RADIUS: mm	PRODUCT CODE:
DRAWN JH	04.02.2020		CCE56R/104R/104S Pipe Modules STANDARD HX
APPROVED JH	23.11.2022		
WEIGHT 597.64 kg	SCALE 1:20	SIZE A3	DRAWING NO. AD0003856
GENERAL TOLERANCE ISO 2768-mK	PROJECTION	Adwatec www.adwatec.com	REV. -
	ERP ITEM NO:	PROJECT:	PAGE 1 / 2

Pvm / Date	Suunnittelija / Designed	Muutos / Change
1	2	3

This document must not be copied without our written permission, and the contents thereof must not be imparted to a third party nor be used for any unauthorized purpose. Contravention will be prosecuted. Adwatec oy



AD0006598	DN40 Pipes, Coolant Water	Down Right	Rittal W600H2000D600 VEDAW600H2000D600
AD0006591	DN40 Pipes, Coolant Water	Down Left	Rittal W600H2000D600 VEDAW600H2000D600
AD0008644	DN40 Flange Pipes, Raw Water	VEDA, Up Back, 104R	Rittal W600H2000D600 VEDAW600H2000D600?
AD0006597	DN40 Flange Pipes, Raw Water	VEDA, Up Left, 104R	Rittal W600H2000D600 VEDAW600H2000D600
AD0006589	DN40 Flange Pipes, Raw Water	VEDA, Up Right, 104R	Rittal W600H2000D600 VEDAW600H2000D600
AD0006604	DN40 Flange Pipes, Raw Water	To Up, 2200 Cabinet	Rittal W600H2200D600 VEDAW600H2200D600
AD0006603	DN40 Flange Pipes, Raw Water	To Up, 2000 Cabinet	Rittal W600H2000D600 VEDAW600H2000D600
NUMBER	DESCRIPTION	DESCRIPTION2	CABINET COMPATIBILITY

MATERIAL: Material <not specified>		DIMENSIONS:	
SURFACE TREATMENT:			
Sheet metal parts only			
THICKNESS: mm	K-FACTOR:	BEND RADIUS: mm	PRODUCT CODE:
DRAWN: JH		04.02.2020	CCE56R/104R/104S Pipe Modules STANDARD HX
APPROVED: JH		23.11.2022	
WEIGHT: 597.64 kg	SCALE: 1:20	SIZE: A3	DRAWING NO. AD0003856
GENERAL TOLERANCE: ISO 2768-mK	PROJECTION:	Adwatec www.adwatec.com	REV. -
ERP ITEM NO:	PROJECT:		PAGE 2 / 2

Pvm / Date	Suunnittelija / Designed	Muutos / Change
1	2	