

Water Cooling Station

Compact Cooling Station

CCA

Data sheet 1(2)

Compact Cooling Station CCA

Compact Cooling Station CCA is a small single pump solution for closed loop liquid cooling systems. The station is designed to be integrated with the customer's construction i.e. in the nacelle of wind turbines or as the heart of a cooling system. This "plug and play" station is easy to install and the customer usually controls the functions of the station.

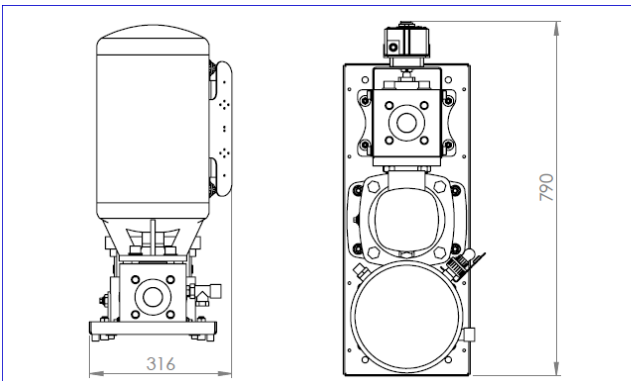
Operation

The cooling station circulates coolant between cooled power electronics and heat exchanger. The station can be connected to water to water or water to air heat exchanger. Power supply and control system are easy to connect. All internal wirings are ready made. The station can be delivered with 3-way valve and electrical heater to ensure constant temperature in cold conditions.

Benefits

- Easy handling and minimum risk of leakage due to simple construction
- Fast and easy commissioning and service (automatic de-aeration and visual coolant level indication)
- Stainless steel industrial pump and copper free materials ensure long and reliable function

Main dimensions/ 3-way valve model



Technical details

Cooling capacity	up to 150 kW
Coolant flow	up to 270 l/ min
Supply voltage	3 x380-415 VAC, 50 Hz 3 x 380-480 VAC, 60Hz
Expansion tank	30 liters Stainless steel
Water connections	DN40 flanges
Instrumentation	Temperature sensor Pressure sensor Coolant level indicator Coolant level alarm
Materials	Stainless steel and aluminum All materials are copper free No surface coatings
Coolant	Water De-ionized water Water glycol mixtures

Typical installation

